

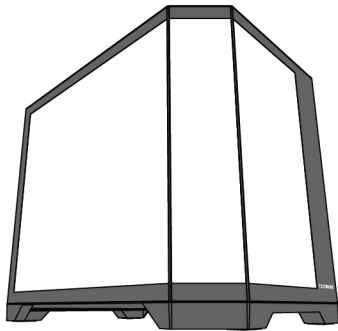
TECWARE

VX TRINITY^M
TRIPLE TEMPERED GLASS MATX CASE

Quick Start Guide

Contents

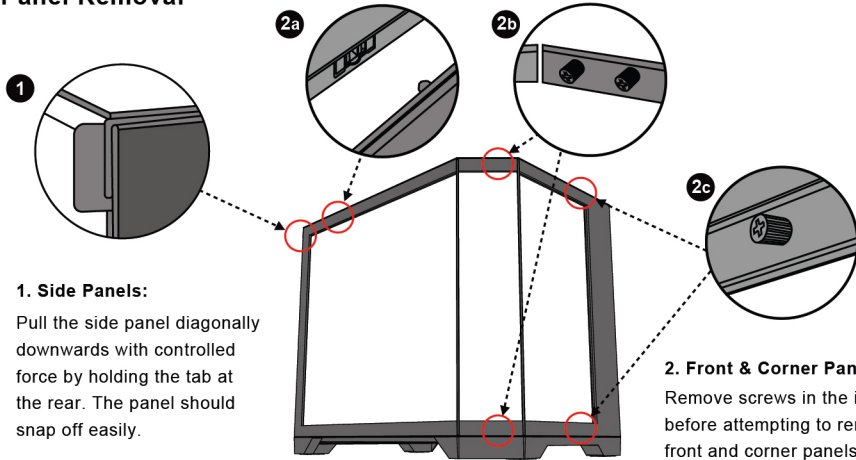
◆ Specification	p.01
◆ Panel Removal	p.02
◆ Front Panel I/O Connections	p.03
◆ Component List	p.04
◆ Motherboard Installations	p.05
◆ SSD / HDD Installation	p.06
◆ GPU & PSU Installation	p.07
◆ CPU Cooler / Fan Installation	p.08
◆ Package Contents & Warranty	p.09



Specifications

Type	Specification
Motherboard Support	mATX, ITX
Dimensions	418(L) x 280(W) x 375(H)mm
3.5" HDD Drive Bay	3
2.5" SSD Drive Bay	3
Expansion Slots	4
Maximum GPU Length	400mm
Maximum CPU Cooler Height	157mm
Maximum PSU Length	200mm

Panel Removal



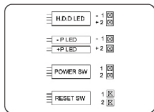
1. Side Panels:

Pull the side panel diagonally downwards with controlled force by holding the tab at the rear. The panel should snap off easily.

2. Front & Corner Panels:

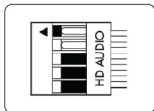
Remove screws in the interior before attempting to remove front and corner panels.

Front Panel I/O Connections



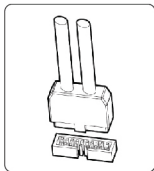
BUTTONS AND ACTIVITY LIGHTS

These cables are connected to the motherboard for the power button (power sw), reset button, HDD LED, and power LED (P+ / P-).



HD AUDIO







This connector attaches to your sound card or motherboard and is used to provide the front panel mic input and headphone output.



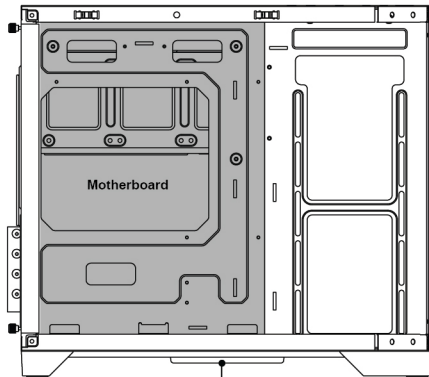
USB 3.0 CONNECTOR

This cable connects to the USB 3.0 header on the motherboard to enable the front USB 3.0 ports.

Component List

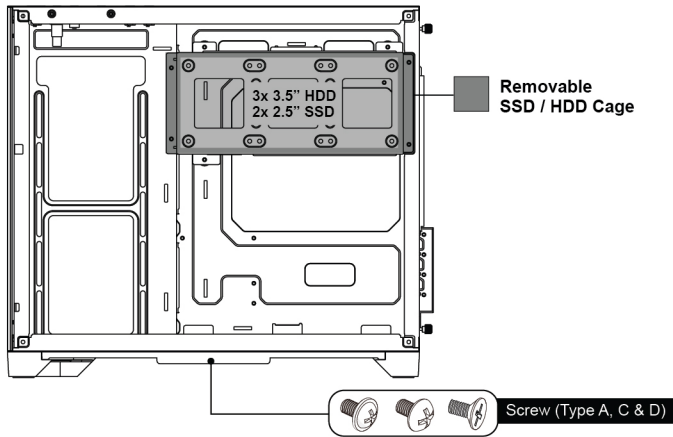
VISUAL	ITEM	QTY	APPLICATION
A 	Motherboard & SSD screw	10	Motherboard and 2.5 hard drive installation
B 	Motherboard standoff	3	Motherboard installation
C 	HDD mount screw	4	3.5 hard drive installation
D 	HDD screws	3	3.5 hard drive installation
E 	PSU & Rear expansion slot screw	5	Power supply installation Mounting of GPU and other expansion cards
F 	Cable tie	7	Cable management

Motherboard Installation



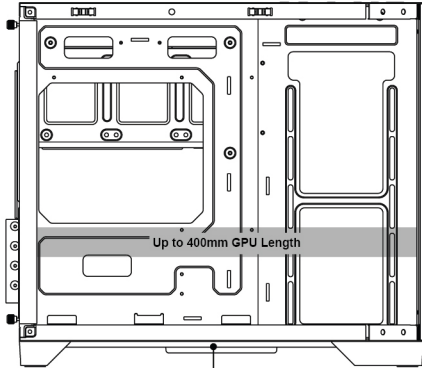
Screw Type A & B

SSD / HDD Installation

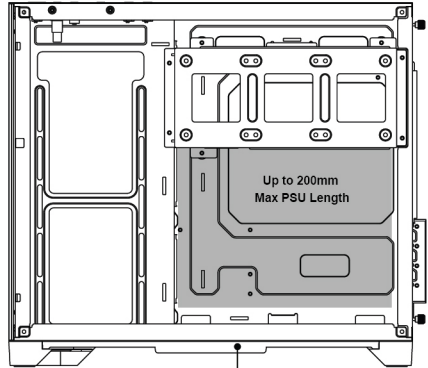


GPU & PSU Installation

Graphics Processing Unit and other expansion cards

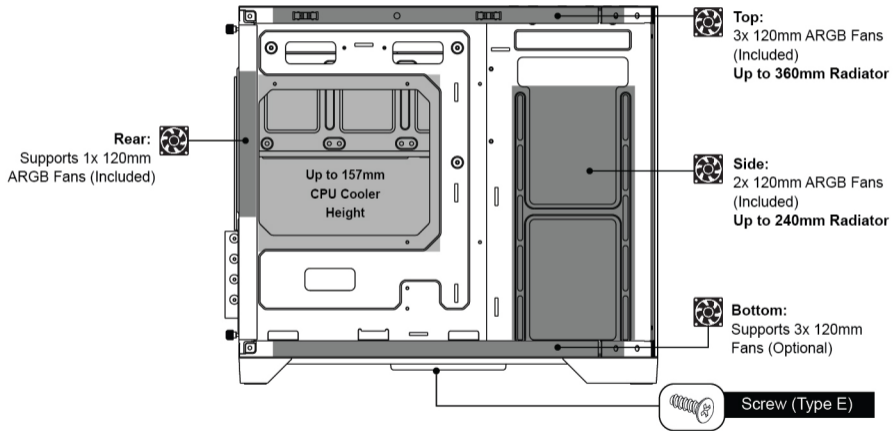


Power Supply Unit Installation



Screw (Type E)

CPU Cooler / Fan Installation



Package Contents

- 1 x TECWARE VX TRINITY Case
- 1 x Bag of Accessories

Warranty

- 1 Year. Please contact your local distributor for support.

T E C W A R E

www.tecware.co